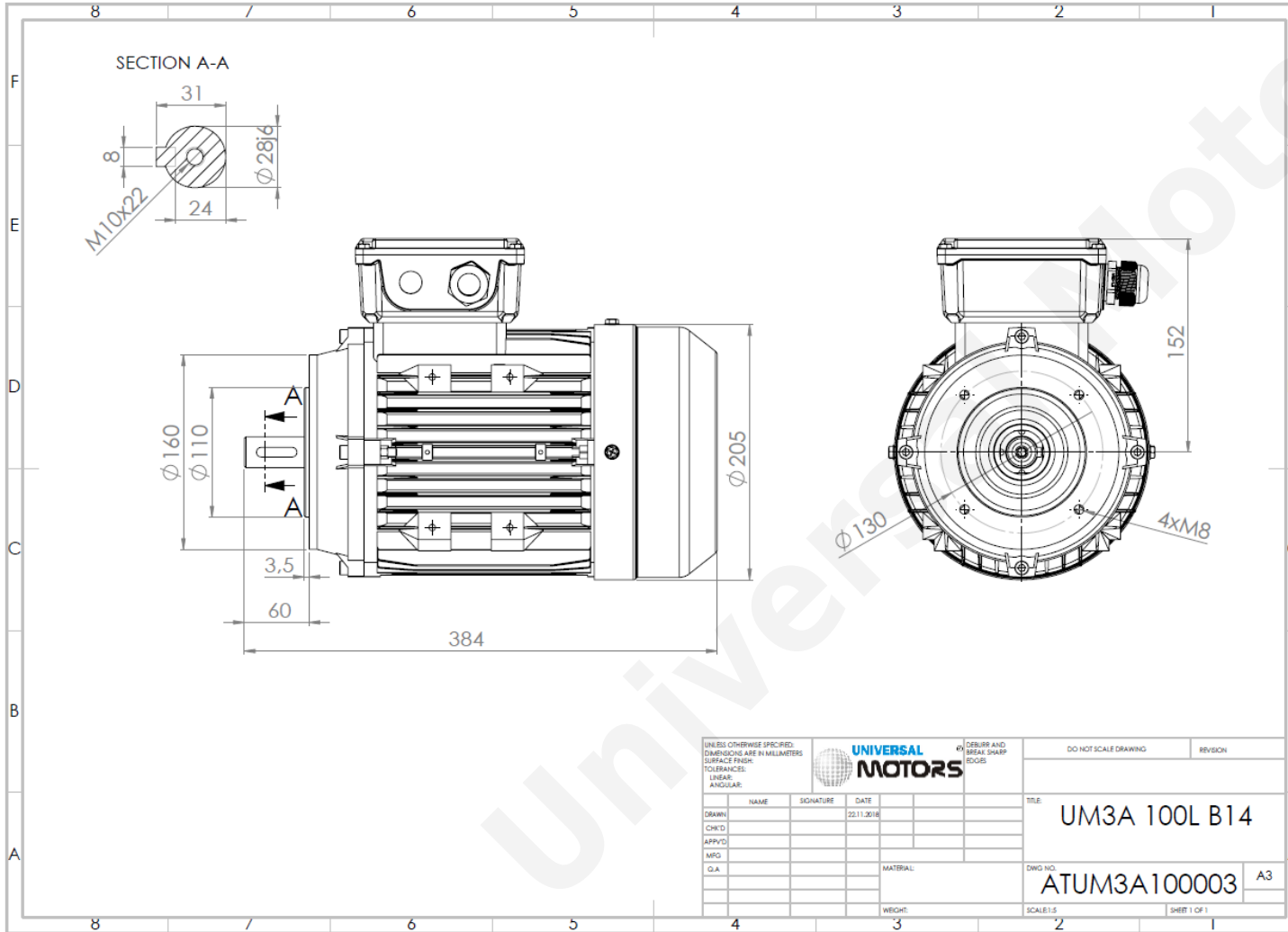




TECHNICAL DATA

Three Phase Electric Motors - Aluminum Frame
 PE31 100L1-8
 0.75 kW / 1 Cv
 715 RPM



Motor type:	PE31 100L1-8
Output:	0.75 kW / 1 Cv
Speed (min ⁻¹):	715 RPM
Frequency:	50 Hz
Voltage:	400 V
Current:	2.2 A
Power factor (Cos Ø):	0.655
Poles:	8
Insulation class:	F
Temperature rise Class:	B
Efficiency 50%:	73.2 %
Efficiency 75%:	77.1 %
Efficiency 100%:	77.4 %
Torque:	10.0 N.m
Tstarting/Tnominal:	2.0
Istarting/Inominal:	4.41
Tmaximum/Tnominal:	2.5
Noise:	62 Db(A)
Weight:	21.0 Kg
Bearing DE:	6206 2Z C3
Bearing NDE:	6206 2Z C3

Regime - S1

Altitude - 1000m

Environment Temperature - 40°C

CONTACTS:

UNIVERSAL MOTORS Tel: +351 252 299 080
 Rua de São Brás,745 Fax: +351 252 299 089
 4480-782 VILA DO CONDE Mail: geral@universalmotors.pt

* References applied only in the UK